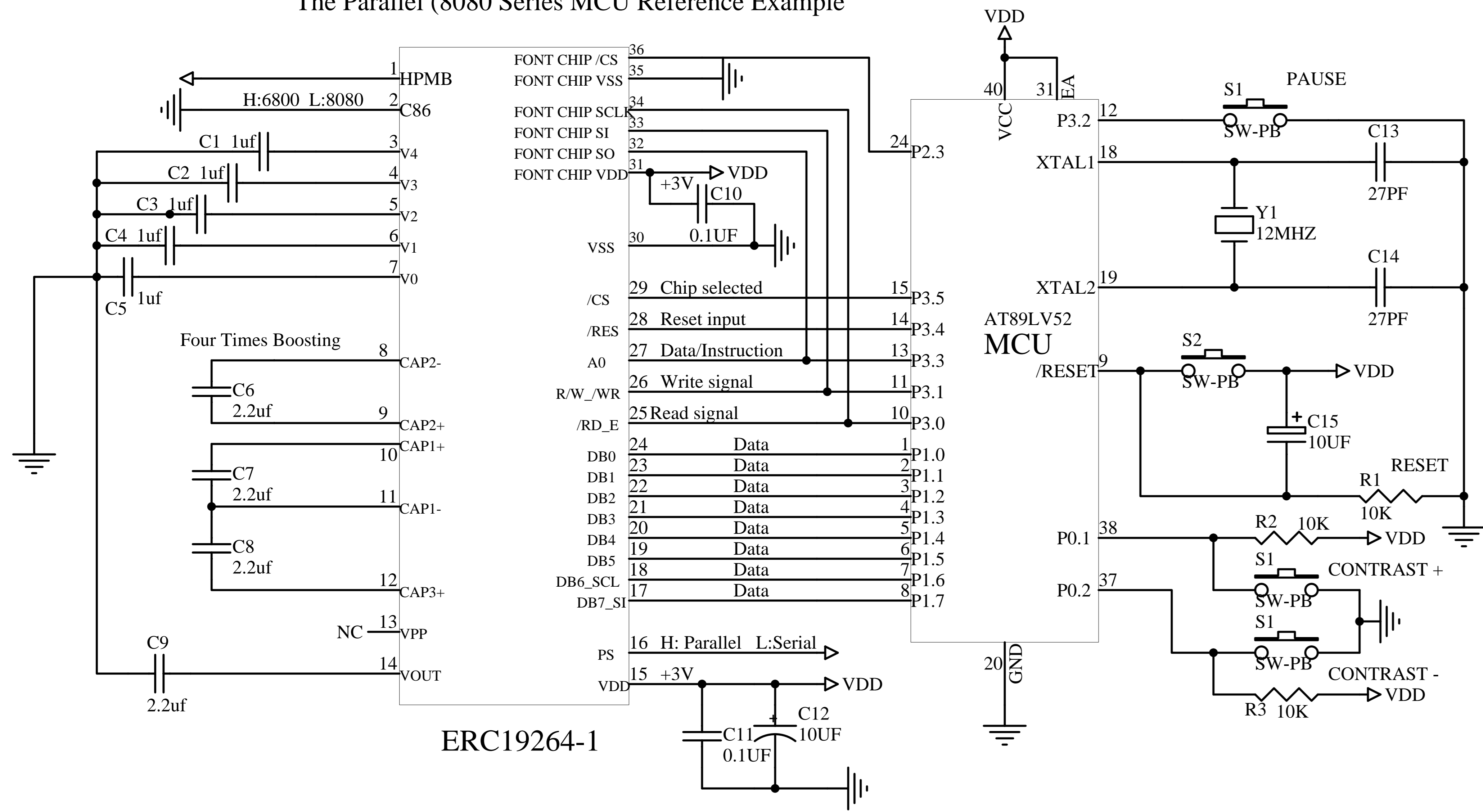
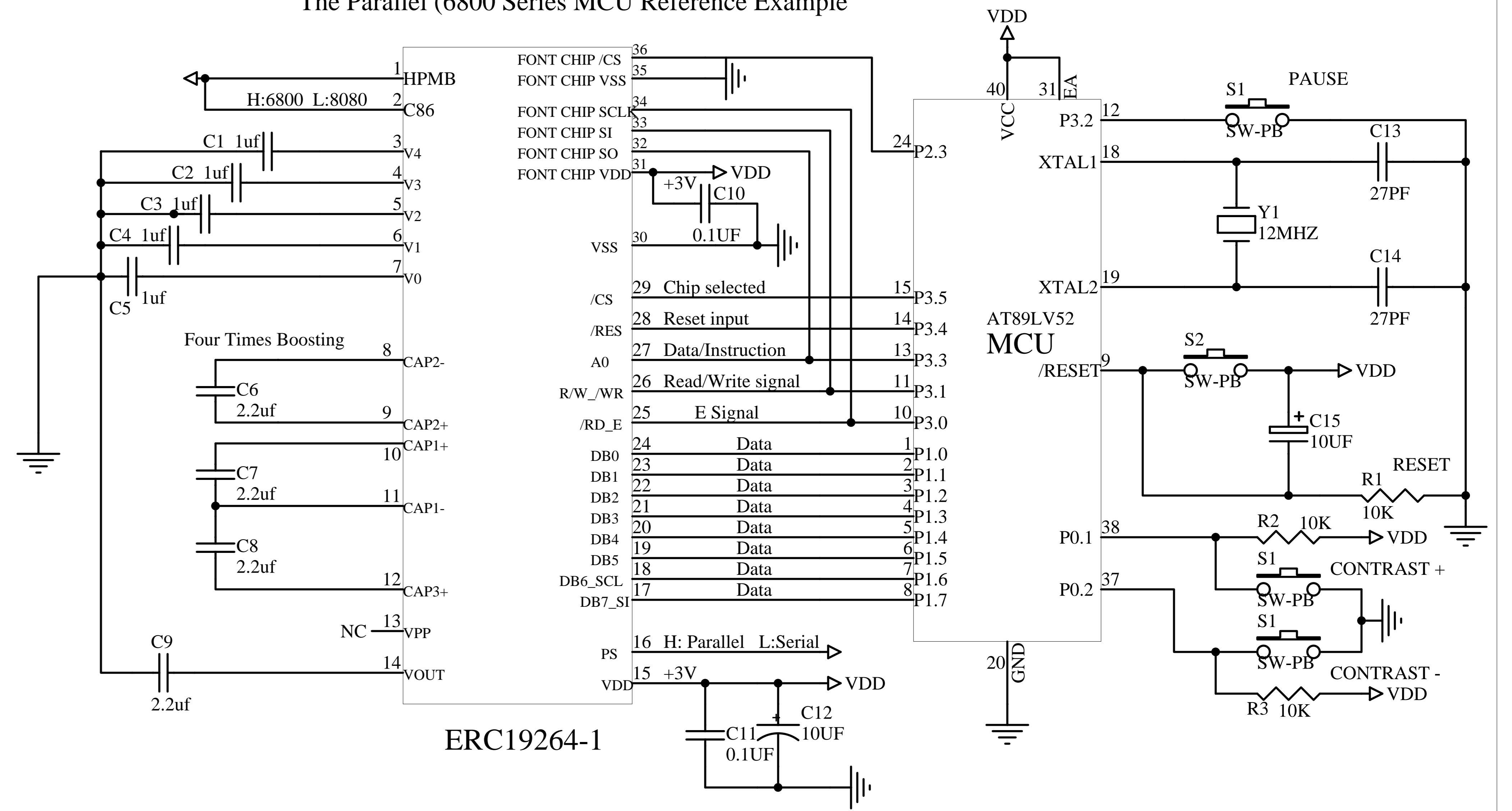


# Interfacing LCD Modules to the AT89C52 MCU

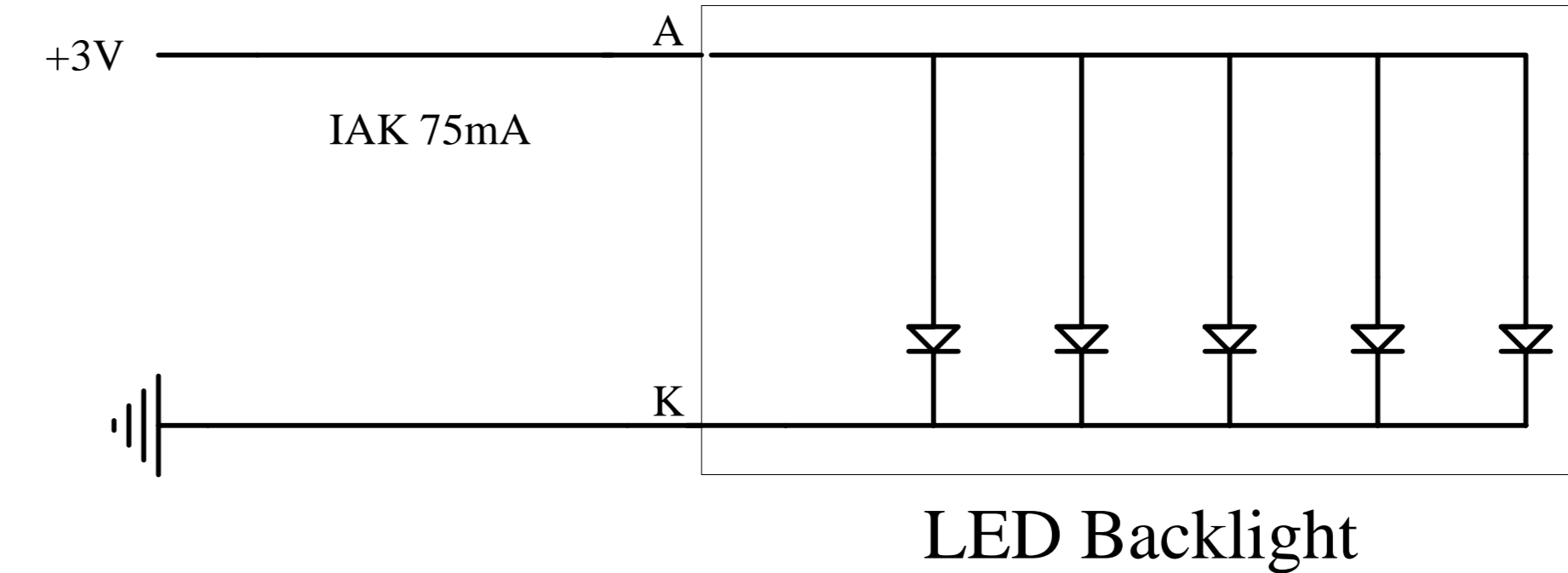
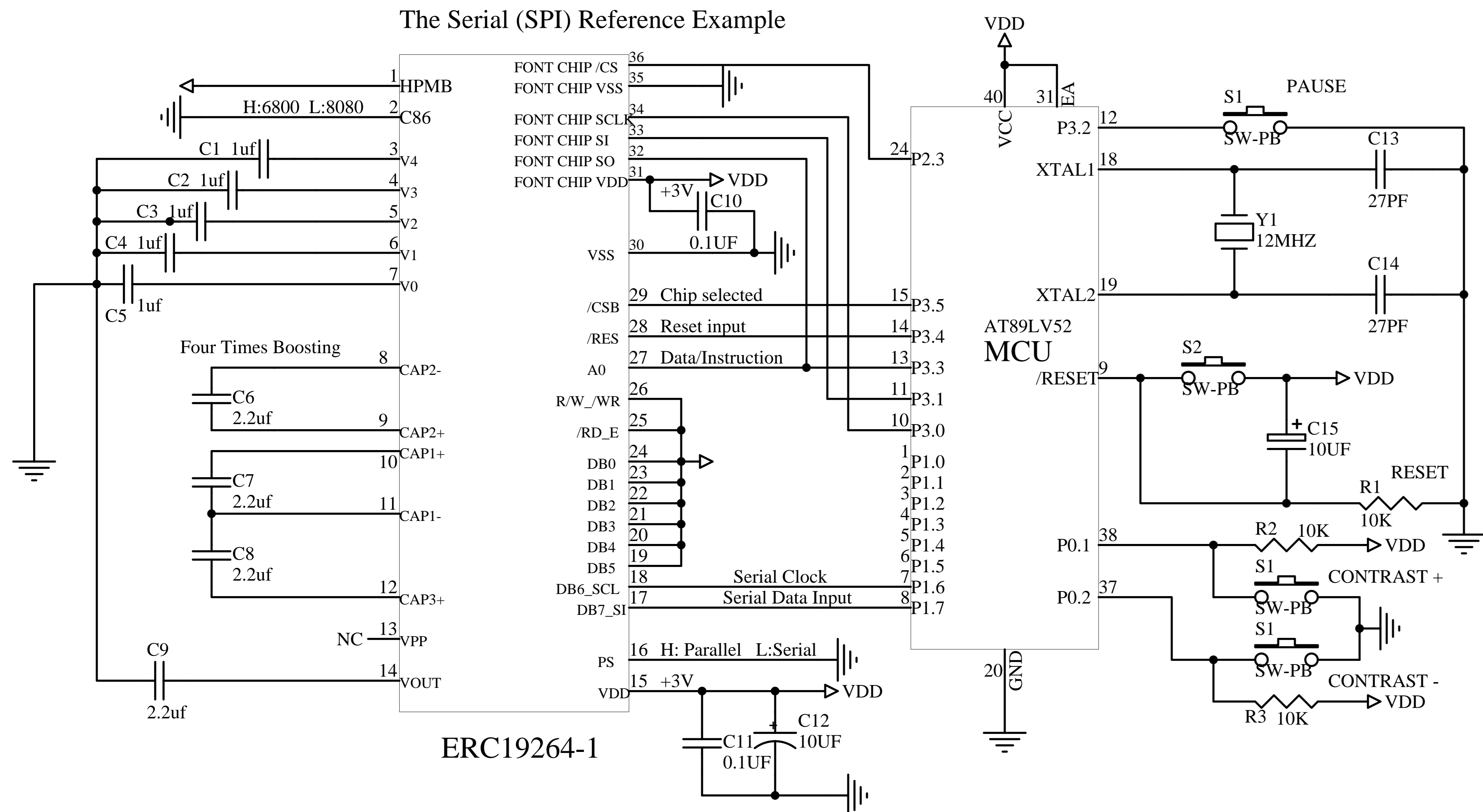
The Parallel (8080 Series MCU Reference Example)



The Parallel (6800 Series MCU Reference Example)



The Serial (SPI) Reference Example



注:PIN 31-- PIN36为外部字符芯片的引脚,如果不使用字库芯片,这些脚需要悬空。  
字库内容可选(更换字库芯片)  
16\*16 GB2321(6763)  
8\*8 12\*12 16\*16 24\*24 173国外文  
16\*16日文字符(6763)

Note: PIN 31 to PIN36 for external font chip pins, if do not use font chip, these pins need to keep open.  
Font optional (replace font chip)

16 \* 16 GB2321 (6763)

Unicode (173 countries' language): 5x7 ~ 24x24  
(Latin, Greek, Cyrillic, Arabic, Hebrew, Thai)  
ISO8859 (14 sets): 5x7, 8x16  
ASCII (11 sets): 5x7 ~ 24x24  
LCM Character Set (8 sets): 5x7, 5x10

16 \* 16 Japanese characters(6763)

Title <b>EASTRISING TECHNOLOGY CO.,LTD.</b>			
Size <b>A</b>	Number <b>ERC19264-1 series</b>	Revision <b>A0</b>	
Date: <b>19-Jun-2009</b>	Sheet of <b>1</b>	Drawn By <b>Javen</b>	
File			