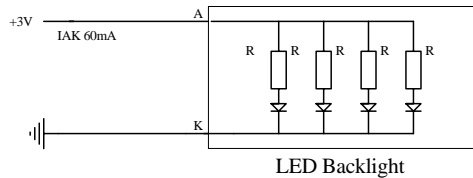
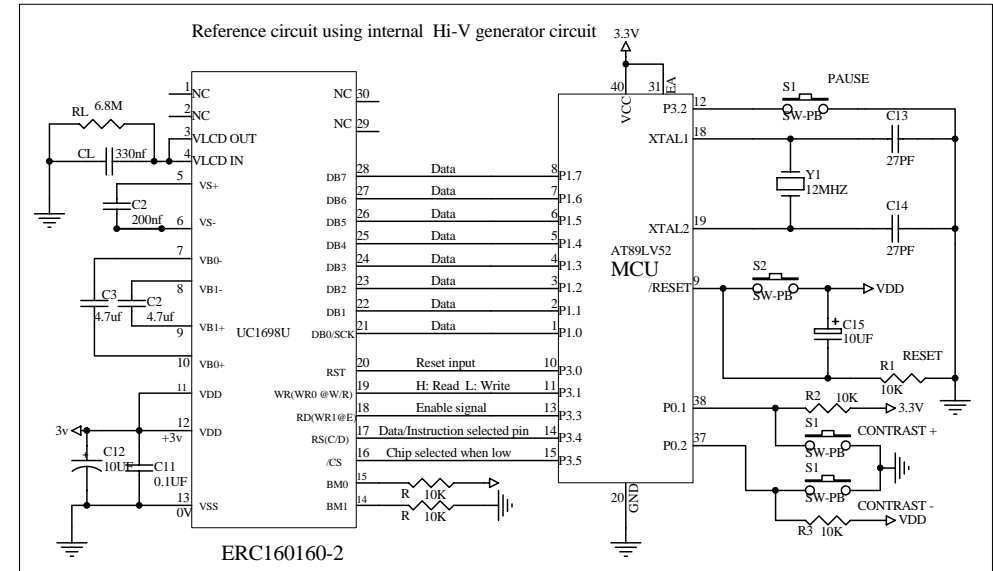
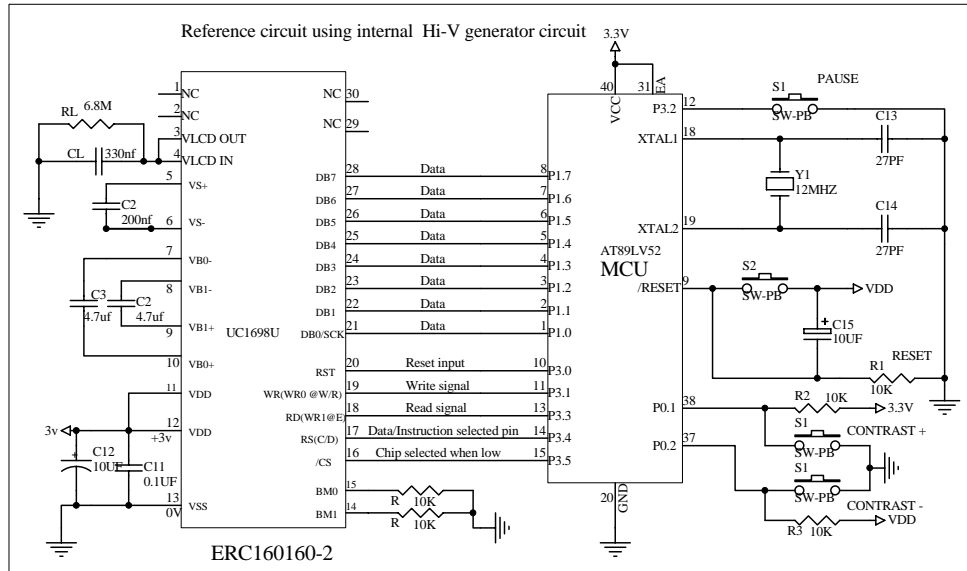


# Interfacing LCD Modules to the AT89LV52 MCU

The Parallel (8080 8bit Series MCU)Reference Example

The Parallel (6800 8bit Series MCU)Reference Example



RST pin is optional. When RST pin is not used ,connect the pin to VDD

Title		
<b>EASTRISING TECHNOLOGY CO.,LTD.</b>		
Size	Number	Revision
A	ERC160160-2	A0
Date:	18-Apr-2011	Sheet of 1
File		Drawn By Javen