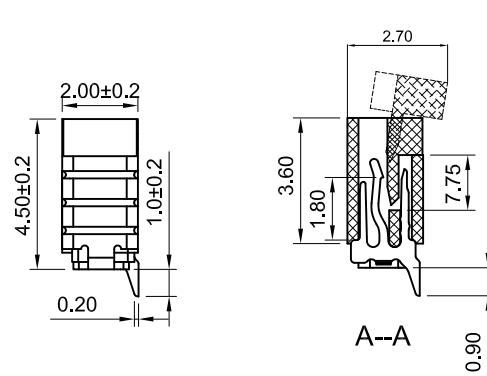
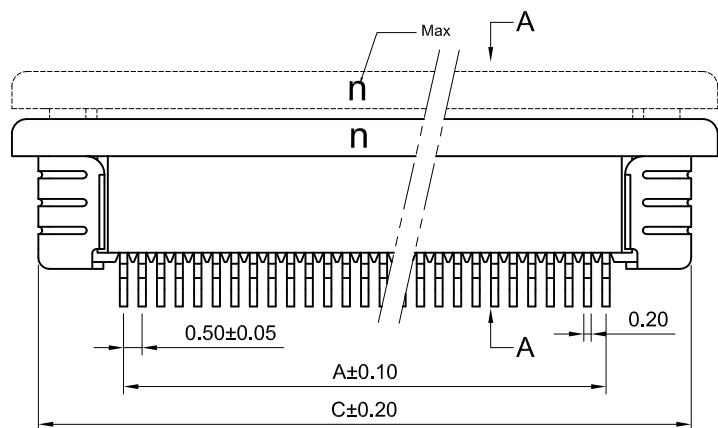


# 30 PINS 0.5 Pitch SMD Horizontal Type Top Contact

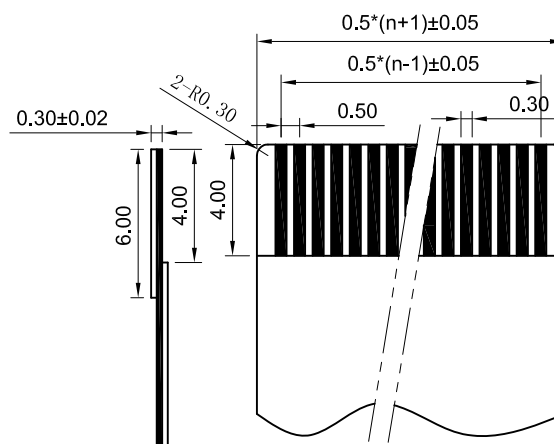
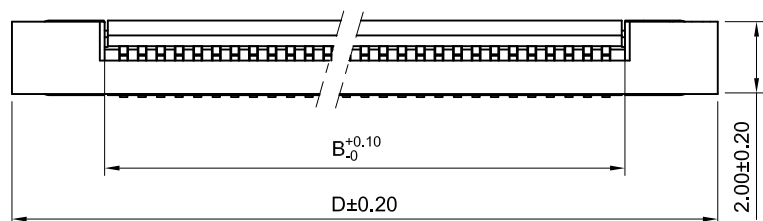
Ver	Date	Description
1.0	July-26-2012	Preliminary Release



Pin Num	A	B	C	D
30	14.5	15.6	19.35	20.65

### Material:

- 1、Housing: NYlon46 UL94V-0 Grey;
- 2、Loeker: PPS UL94V-0;
- 3、Contact: Phosphor bronze, tin/lead-plated;
- 4、Solder tab: Phosphor bronze, tin/lead-plated.



### Specification:

- 2、Unverified Tolerance should comply with SJ1372-79;
- 3、Temperature Range:  $-25^{\circ}\text{C} \sim 85^{\circ}\text{C}$ ;
- 4、Rated Voltage: 50V, AC, DC;
- 5、Contact Resistance:  $\leq 0.03 \Omega$ ;
- 6、Insulation Resistance:  $\geq 500\text{M} \Omega$ ;
- 7、Withstand Voltage: 500V, AC/minute.



 <b>旭日东方科技有限公司</b> <b>EastRising EastRising Technology Co.,Ltd.</b> buy-display.com TEL: +86-755-33503873 FAX: +86-755-33507642-801		<b>CD</b>
	UNIT: MM	SIZE: A4
	SHEET: 1 OF 1	
Part Number for Order: <b>ER-CON30HT-1</b>		
DRAWN BY : Jim	CHECKED BY: Tony	APPROVED BY : Liu