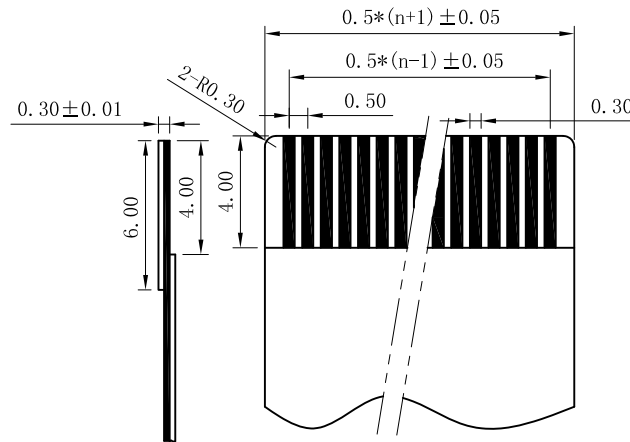
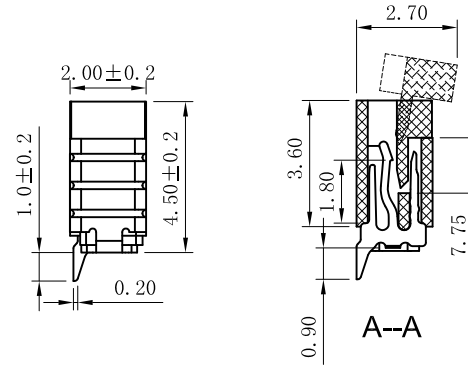
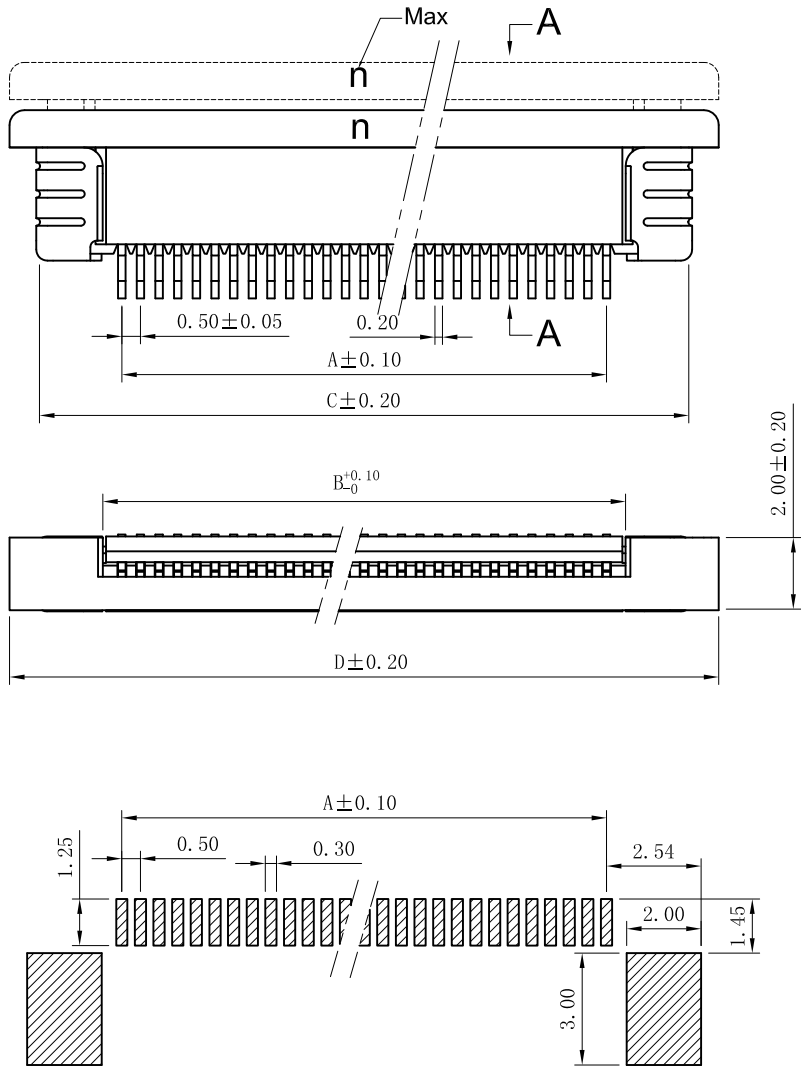


# 18 PINS 0.5 Pitch SMD Horizontal Type Bottom Contact

Ver	Date	Description
1.0	July-26-2012	Preliminary Release



Pin Num	A	B	C	D
18	8.50	9.60	13.35	14.65

### Material:

- 1、Housing: NYlon46 UL94V-0 Grey;
- 2、Loeker: PPS UL94V-0;
- 3、Contact: Phosphor bronze, tin/lead-plated;
- 4、Solder tab: Phosphor bronze, tin/lead-plated.

### Specification:

- 1、Unverified Tolerance should comply with SJ1372-79;
- 2、Temperature Range:  $-25^{\circ}\text{C} \sim 85^{\circ}\text{C}$ ;
- 3、Rated Voltage: 50V, AC, DC;
- 4、Contact Resistance:  $\leq 0.03 \Omega$ ;
- 5、Insulation Resistance:  $\geq 500\text{M}\Omega$ ;
- 6、Withstand Voltage: 500V, AC/minute.

 <b>旭日东方科技有限公司</b> <b>EastRising Technology Co., Ltd.</b> <small>www.lcd-china.com TEL: +86-755-33503873 FAX: +86-755-33507642-801</small>		<b>CD</b>
	UNIT: MM	SIZE: A4
	SHEET: 1 OF 1	
<b>Part Number for Order: ER-CON18HB -1</b>		
<b>DRAWN BY : Jim</b>	<b>CHECKED BY: Tony</b>	<b>APPROVED BY : Liu</b>