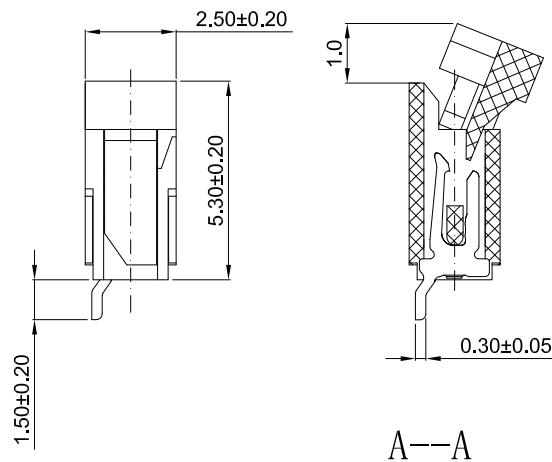
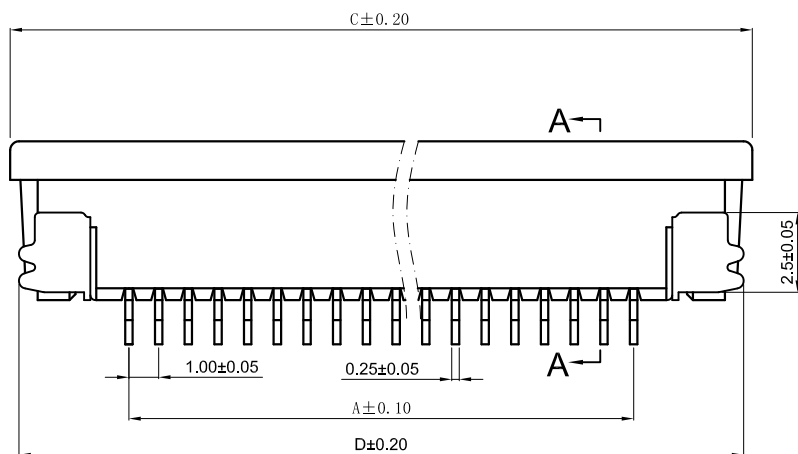


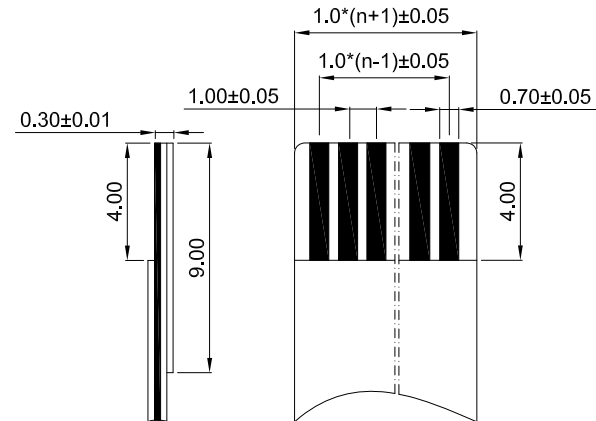
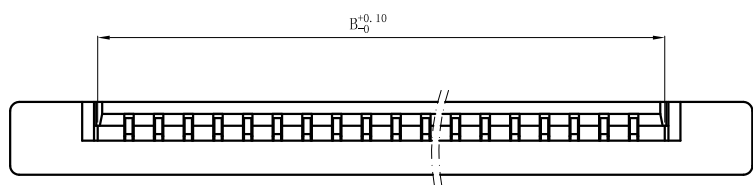
# 4 PINS 1.0 Pitch SMD Horizontal Type Bottom Contact

Ver	Date	Description
1.0	July-26-2012	Preliminary Release

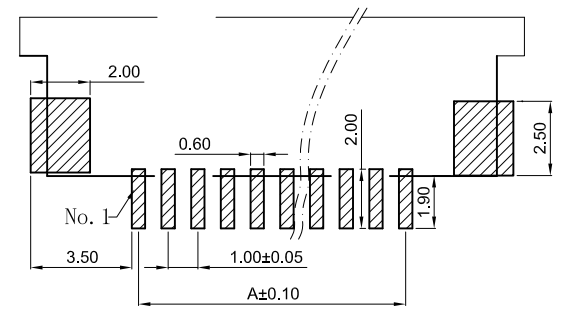


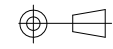
Pin Num	A	B	C	D
4	3.0	5.3	11.1	10.1

- Material:**
- 1、Housing: NYlon46 UL94V-0 Grey;
  - 2、Loeker: PPS UL94V-0;
  - 3、Contact: Phosphor bronze, tin/lead-plated;
  - 4、Solder tab: Phosphor bronze, tin/lead-plated.



- Specification:**
- 2、Unverified Tolerance should comply with SJ1372-79;
  - 3、Temperature Range:  $-25^{\circ}\text{C} \sim 85^{\circ}\text{C}$ ;
  - 4、Rated Voltage: 50V, AC, DC;
  - 5、Contact Resistance:  $\leq 0.03 \Omega$ ;
  - 6、Insulation Resistance:  $\geq 500\text{M} \Omega$ ;
  - 7、Withstand Voltage: 500V, AC/minute.



 <p>旭日东方科技有限公司 EastRising Technology Co., Ltd. www.lcd-china.com TEL: +86-755-33503873 FAX: +86-755-33507642-801</p>		CD
	UNIT: MM	SIZE: A4
	SHEET: 1 OF 1	
Part Number for Order: ER-CON04HB-2		
DRAWN BY : Jim	CHECKED BY: Tony	APPROVED BY : Liu